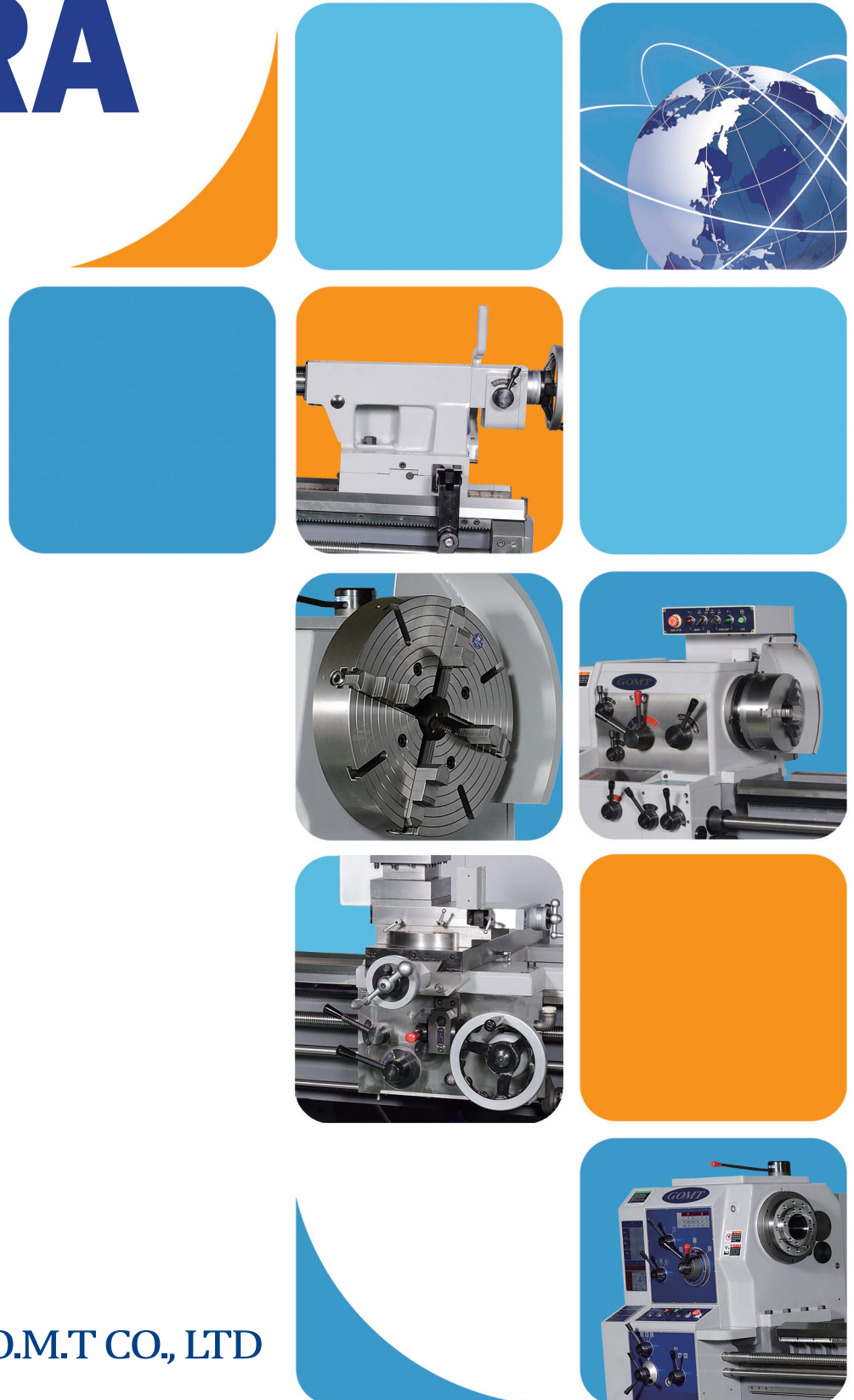




# World Top Heavy Duty Lathe

# NARA Series





the pioneer of machine tool manufacturing



## 900 SERIES

- Large spindle bore equipped  $\varnothing$  120mm
- Auto forced lubrications
- User friendly design and easy to operating panel
- Working stability tail stock for strong & heavy cutting (MT#6)

## 600 SERIES

- Large spindle bore equipped  $\varnothing$  82mm
- High strength & high precision from middle base mounted
- Dual locking method for tail stock  
/ transferring device equipped
- Long bed for economical work of long shaft (Max 4000L)

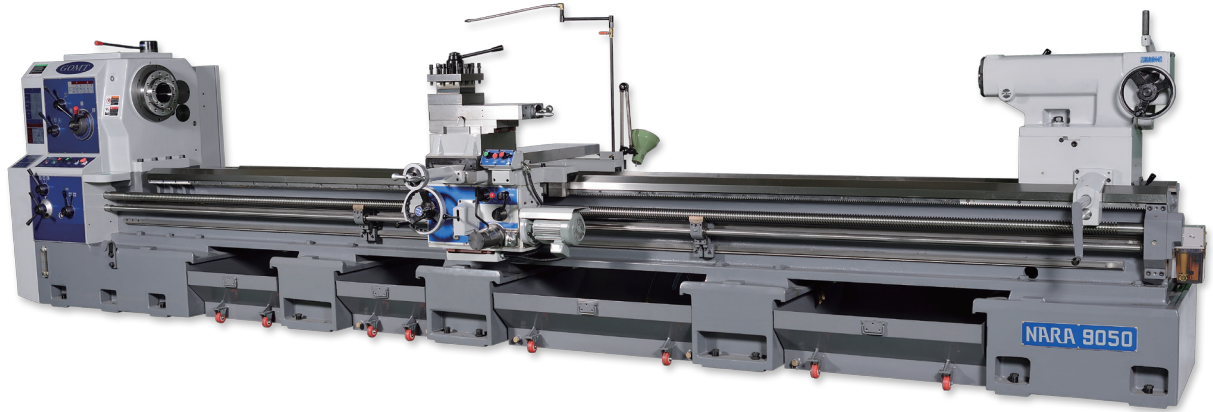
## 500 SERIES

- Large spindle bore equipped  $\varnothing$  73mm
- Biggest bed size in its class
- Tail stock reduction device

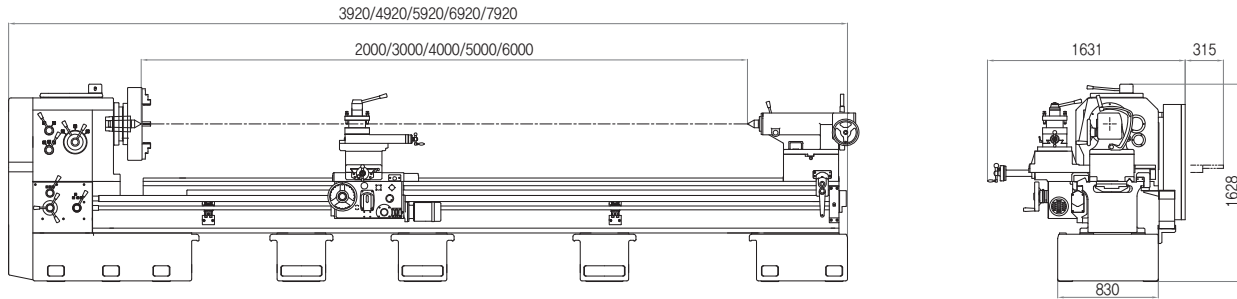
## 430 SERIES

- Compact yet powerful bestseller for small lathes
- Super precision taper roller bearing
- Rotary type for spindle speeds
- Maximized operation efficiency by discharging chip forward

# NARA 900 SERIES



## Front View



## Specifications

DESCRIPTION		unit	NARA 900 series				
			9020	9030	9040	9050	9060
Swing	over bed	mm	Ø 900 (Ø 1000)				
	over cross slide	mm	Ø 680 (Ø 730)				
	over gap	mm	Ø 1,300 (Ø 1350)				
Distance between center		mm	2,000	3,000	4,000	5,000	6,000
Spindle	Spindle nose	ASA	A1-11				
	Spindle bore	mm	Ø 120				
	Taper of hole	M.T	7				
	Taper of center	M.T	6				
	No. of spindle speeds	STEPS	12				
	Range of spindle speeds	rpm	15~750 (OPTION : low 10~500, high 20~1,000)				
Carriage & Feed	No. of feed changes	Kinds	Ordinary : 40 kinds, Double : 40kinds				
	Range of cross feeds (ordinary)	mm/rev	0.04-1.26				
	Range of cross feeds (double)	mm/rev	0.08-2.50				
	Range of longitudinal feeds (ordinary)	mm/rev	0.02-0.63				
	Range of longitudinal feeds (double)	mm/rev	0.04-1.25				
	Max. travel of cross slide	mm	560				
	Max. travel of compound rest	mm	250				
	Tool size	mm	32 * 32				
Thread	Lead screw	mm	Ø 50 * P=12				
	Metric	mm/pitch	1-28				
	Inch	T.P.I	28-1				
	D.P	D,P	56-2				
	Module	M	0.5-14				
Tail stock	Spindle diameter	mm	Ø 120				
	Spindle taper	MT	6				
	Max. quill travel	mm	250				
Bed	Length	mm	3,540	4,540	5,540	6,540	7,540
	Width	mm	550				
Motor	Main	Kw	15 * 4P				
	Coolant	W	180				
Floor Space	Width * Length	mm	1950*3920	1950*4920	1950*5920	1950*6920	1950*7920
	Height	mm	1630				
Machine weight			5,400	5,900	6,400	7,000	7,800

### Standard accessories

- Electro-magnetic brake
- Change gear
- Sleeve/Center (No. 7/6)
- 4 jaw independent chuck (24")
- Tail stock reduction (2-speeds)
- Coolant equipment
- Work light
- Rapid feed device for carriage
- **Gap bed (1300mm)**
- **Auto forced lubrications (BED SLIDE)**
- Installation kit with box

### Optional accessories

- Face plate (850mm)
- Live center (No. 6)
- 4 jaw independent chuck (18", 20", 28", 32")
- 3 jaw scroll chuck (14", 16")
- Taper cutting attachment
- Long carriage stopper
- Steady rest METAL JAW (20-245, 170-420, 400-600mm)
- Steady rest ROLLER JAW (20-245, 170-420, 400-600mm)
- Follow rest
- Digital scale (2, 3 Axis)

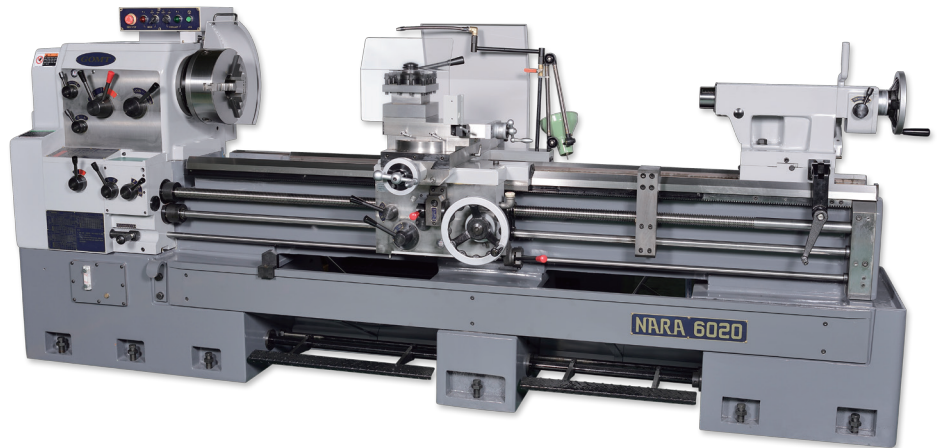
### SPECIAL SPECIFICATION

- Swing over bed : 1000mm type
- Distance Between Center (BC > 6000 mm)

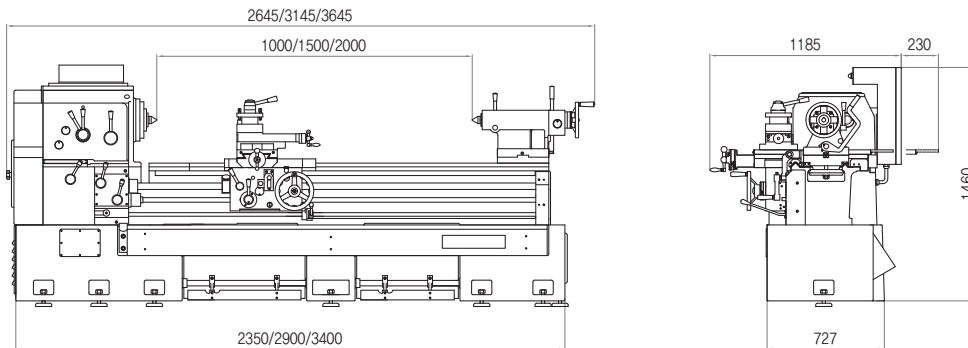
※ ( ) Option

# NARA 600

## SERIES\_1



### Front View



### Specifications

DESCRIPTION		Unit	NARA 600 series		
			6010	6015	6020
Swing	over bed	mm	Ø 600		
	over cross slide	mm	Ø 360		
	over gap	mm	(Ø 790)		
Distance between center		mm	1000	1500	2000
Spindle	Spindle nose		ASA A1-8		
	Spindle bore	mm	Ø 82		
	Taper of hole	M,T	7		
	Taper of center	M,T	5		
	No. of spindle speeds	step	12		
	Range of spindle speeds	r.p.m	30-1400		
Carriage & Feed	No. of feed changes	step	48		
	Range of cross feeds	mm/rev	0.04-0.345		
	Range of longitudinal feeds	mm/rev	0.08-0.69		
	Max. travel of cross slide	mm	350		
	Max. travel of compound rest	mm	156		
Thread	Tool size	mm	25 * 25		
	Lead screw	mm	Ø40 * P6		
	Inch	T,P,I	4-56		
	Metric	mm	0.5-7		
	D.P	D.P	8-112		
Tail stock	Module	M	0.25-3.5		
	Max. quill travel	mm	200		
Bed	Spindle taper	M,T	5		
	Width	mm	427		
Motor	Length	mm	2140	2640	3140
	Main	kW	7.5		
Floor Space	Coolant	W	100		
	Width * Length	mm	1450 * 2645	1450 * 3145	1450 * 3645
Machine weight		Kgs	2320	2440	2630

#### Standard accessories

- 3 jaw scroll chuck (12")
- Center & sleeve (No.5/7)
- Carbide tipped center (MT5)
- Change gear 50T, 72T
- Steady rest (Ø250mm : metal)
- Follow rest
- Coolant equipment
- Work light
- Long carriage stopper
- Tail stock reduction (2-speeds)
- Installation kit with box

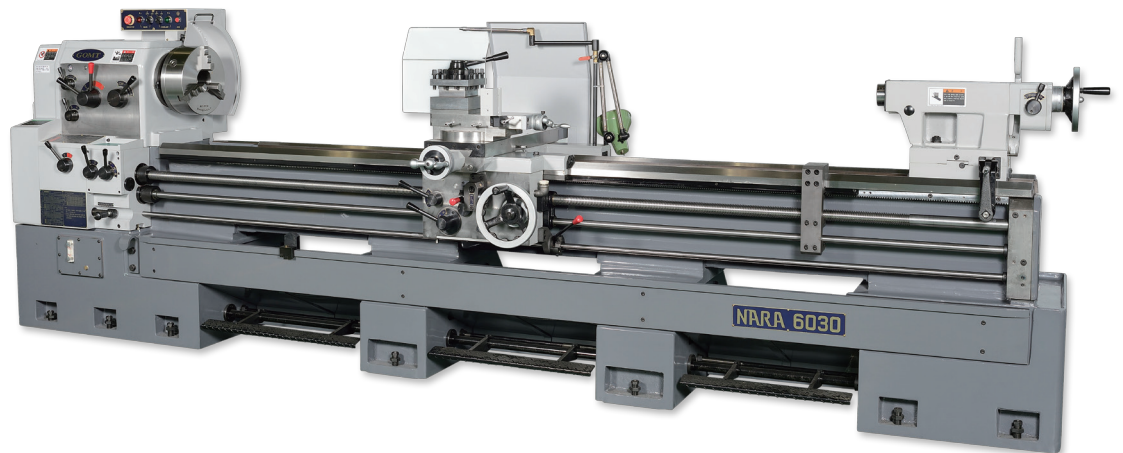
#### Optional accessories

- 3 jaw scroll chuck (14")
- 4 jaw independent chuck (14", 16", 18")
- Steady rest (Ø300mm : ROLLER)
- Live center (MT5)
- Face plate (Ø500mm)
- Micro stopper for Carriage
- Digital scale (2, 3 Axis)
- Taper cutting attachment
- Splash guard (Rear side)
- Rapid feed device for carriage (Z Axis : BC)2000
- Gap bed (790mm)

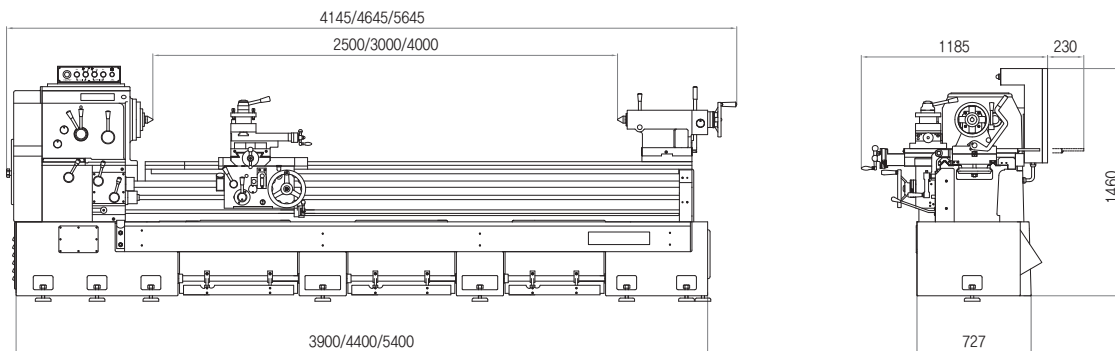
※ ( ) Option

# NARA 600

## SERIES\_2



Front View



### Specifications

DESCRIPTION		Unit	NARA 600 series		
			6025	6030	6040
Swing	over bed	mm	Ø 600		
	over cross slide	mm	Ø 360		
	over gap	mm	(Ø 790)		
Distance between center		mm	2500	3000	4000
Spindle	Spindle nose		ASA A1-8		
	Spindle bore	mm	Ø 73 (Ø 82)		
	Taper of hole	M.T	7		
	Taper of center	M.T	5		
	No. of spindle speeds	step	12		
Range of spindle speeds		r.p.m	30-1400		
Carriage & Feed	No. of feed changes	step	48		
	Range of cross feeds	mm/rev	0.04-0.345		
	Range of longitudinal feeds	mm/rev	0.08-0.69		
	Max. travel of cross slide	mm	350		
	Max. travel of compound rest	mm	156		
Thread	Tool size	mm	25 * 25		
	Lead screw	mm	Ø40 * P6		
	Inch	T.P.I	4-56		
	Metric	mm	0.5-7		
	D.P	D.P	8-112		
Tail stock	Module	M	0.25-3.5		
	Max. quill travel	mm	200		
	Spindle taper	M.T	5		
Bed	Width	mm	427		
	Length	mm	3640	4140	5140
Motor	Main	kW	7.5		
	Coolant	W	100		
Floor Space	Width * Length	mm	1450 * 4145	1450 * 4645	1450 * 5645
	Height		1460		
Machine weight		Kgs	2930	3120	3650

#### Standard accessories

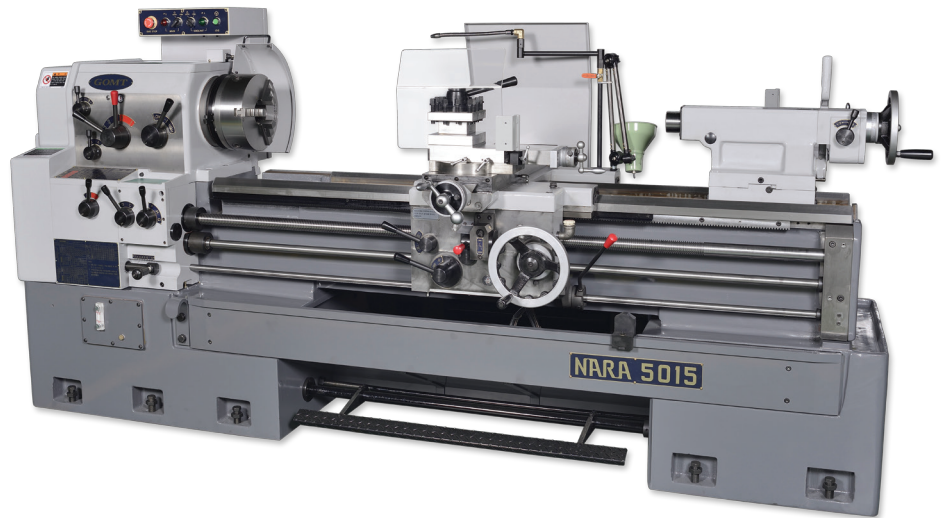
- 3 jaw scroll chuck (12")
- Center & sleeve (No.5/7)
- Carbide tipped center (MT5)
- Change gear 50T, 72T
- Steady rest (Ø250mm : metal)
- Follow rest
- Coolant equipment
- Work light
- Long carriage stopper
- Tail stock reduction (2-speeds)
- Installation kit with box

#### Optional accessories

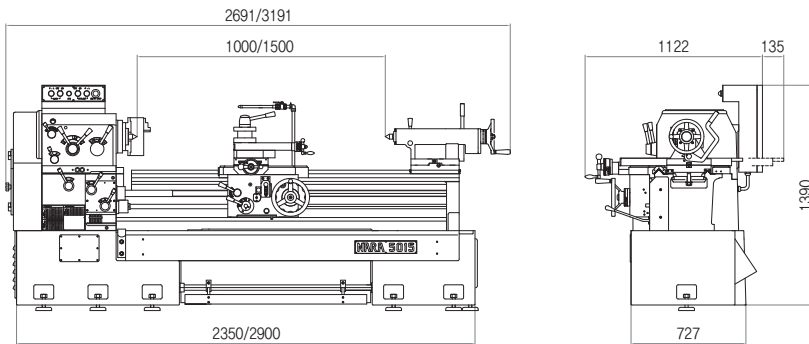
- 3 jaw scroll chuck (14")
- 4 jaw independent chuck (14", 16", 18")
- Steady rest (Ø300mm : ROLLER)
- Live center (MT5)
- Face plate (Ø500mm)
- Micro stopper for Carriage
- Digital scale (2, 3 Axis)
- Taper cutting attachment
- Splash guard (Rear side)
- Rapid feed device for carriage (Z Axis : BC)2000
- **Gap bed (790mm)**

※ ( ) Option

# NARA 500 SERIES



Front View



## Specifications

DESCRIPTION		Unit	NARA 500 series	
			5010	5015
Swing	over bed	mm	Ø 500	
	over cross slide	mm	Ø 270	
	over gap	mm	(Ø 690)	
Distance between center		mm	1000	1500
Spindle	Spindle nose		ASA A1-8	
	Spindle bore	mm	Ø 73	
	Taper of hole	M.T	7	
	Taper of center	M.T	5	
	No. of spindle speeds	step	12	
	Range of spindle speeds	r. p. m	25-1600	
Carriage & Feed	No. of feed changes	step	48	
	Range of cross feeds	mm/rev	0.04-0.345	
	Range of longitudinal feeds	mm/rev	0.08-0.69	
	Max. travel of cross slide	mm	270	
	Travel of compound rest	mm	156	
	Tool size	mm	25 * 25	
Thread	Lead screw	mm	Ø40 * P6	
	Inch	T.P.I	4-56	
	Metric	mm	0.5-7	
	D.P	D.P	8-112	
	Module	M	0.25-3.5	
Tail stock	Max. quill travel	mm	170	
	Spindle taper	M.T	4	
Bed	Width	mm	427	
	Length	mm	2140	2640
Motor	Main	kW	5.5	
	Coolant	W	100	
Floor Space	Width * Length	mm	1300 * 2690	1300 * 3190
	Height		1390	
Machine weight		Kgs	2190	2320

### Standard accessories

- 3 jaw scroll chuck (10")
- Center & sleeve (No5/7)
- Carbide tipped center (MT4)
- Change gear 50T, 72T
- Steady rest (Ø200mm : metal)
- Follow rest
- Coolant equipment
- Work light
- Long carriage stopper
- Tail stock reduction (2-speeds)
- Installation kit with box

### Optional accessories

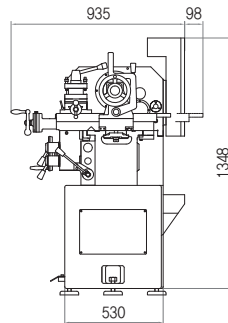
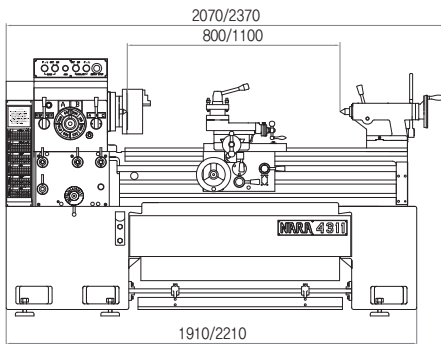
- 3 jaw scroll chuck (9", 12")
- 4 jaw independent chuck (10", 12", 14")
- Steady rest (Ø250mm : ROLLER)
- Live center (MT4)
- Face plate (Ø430mm)
- Micro stopper for Carriage
- Digital scale (2, 3 Axis)
- Taper cutting attachment
- Splash guard (Rear side)
- Gap bed (690mm)

※ ( ) Option

# NARA 430 SERIES



## Front View



## Specifications

DESCRIPTION		Unit	NARA 430 series	
			4308	4311
Swing	over bed	mm	Ø 430	
	over cross slide	mm	Ø 240	
	over gap	mm	*	
Distance between center		mm	800	1100
Spindle	Spindle nose		ASA A1-6	
	Spindle bore	mm	Ø 60	
	Taper of hole	M.T	6	
	Taper of center	M.T	4	
	No. of spindle speeds	step	8	
	Range of spindle speeds	r.p.m	60-1500	
Carriage & Feed	No. of feed changes	step	32	
	Range of cross feeds	mm/rev	0.019-0.271	
	Range of longitudinal feeds	mm/rev	0.039-0.541	
	Max. travel of cross slide	mm	245	
	Travel of compound rest	mm	135	
Thread	Tool size	mm	20 * 20	
	Lead screw	mm	Ø32 * P6	
	Inch	T.P.I	4-56	
	Metric	mm	0.5-7	
	D.P	D.P	4-56	
Tail stock	Module	M	0.5-7	
	Max. quill travel	mm	165	
Bed	Spindle taper	M.T	4	
	Width	mm	300	
Motor	Length	mm	1700	2000
	Main	kW	3.7	
Floor Space	Coolant	W	100	
	Width * Length	mm	1050 * 2070	1050 * 2370
Height	1350			
Machine weight		Kgs	1850	1950

### Standard accessories

- 3 jaw scroll chuck (9")
- Center & sleeve(No.4/6)
- Carbide tipped center(MT4)
- Change gear
- Steady rest (Ø160mm : metal)
- Follow rest
- Coolant equipment
- Work light
- Long carriage stopper
- Installation kit with box

### Optional accessories

- 3 jaw scroll chuck (7", 10")
- 4 jaw independent chuck (8", 10")
- Live center( MT4)
- Steady rest (Ø160mm : ROLLER)
- Face plate (Ø430mm)
- Micro stopper for Carriage
- Digital scale (2, 3 Axis)
- Taper cutting attachment
- Tail stock reduction (2-speeds)
- Splash guard (Rear side)

※ ( ) Option

**GOMT** G.O.M.T CO., LTD

**Head office & Factory**

243, Techno 2-ro, Yuseong-gu, Daejeon, Korea

TEL : 82-42-936-8100

FAX : 82-42-936-8105

<http://www.gomtlathe.co.kr>

E-mail : [sales@gomtlathe.co.kr](mailto:sales@gomtlathe.co.kr)